



METI SERIES E27 PENDANT & WALL LIGHTS

- Input voltage: 220-240V AC 50/60Hz
- Material: iron, wood & glass
- METI01-02: oil rubbed bronze rods + trim + mounting plates
- Max.60W halogen globes
- E27 lampholder
- Globe not included
- For indoor use only



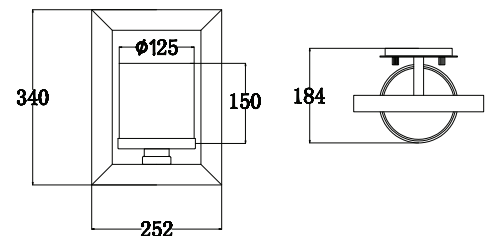
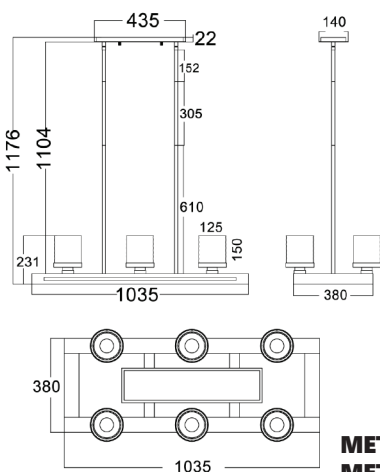
METI01



METI02

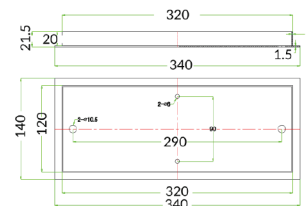


METI03W



METI01: Min suspension length: 305mm; Max suspension length: 1067mm
METI02: Any combination of rods can be used

PART NO.	DESCRIPTIONS	WEIGHT (KG)	BOX (cm)	CARTON QTY
METI01	PENDANT ES x 6 60W rect Warm Chestnut Wood Frame Clear Glass	19.00	113X53X32	1
METI02	PENDANT ES X 4 60W Warm Chestnut Wood Bar Clear Glass	12.00	137X32X22	1
METI03W	WALL INTERNAL ES Warm Chestnut Wood Frame Clear Glass	3.90	41X32X25	1



UPDATED ON 21.02.2018

Tel: (02) 9938 7100 | Fax: (02) 9938 7115 | Email: sales@clalighting.com.au

Website: www.clalighting.com.au

Follow us: facebook.com/CLALighting